



Yard Waste & Refuse Bin Order Form

Return this form with check or money order payable to:
City of Midland
Mail to: City Treasurer, P. O. Box 1647
Midland, MI 48641-1647

Delivery Information: Refuse and yard waste bins can be delivered free of charge within 3 business days of purchase.

Name: _____ Daytime Phone: _____
Address: _____ Zip: _____

95 Gallon Blue Yard Waste Bin

Number of Blue Bins _____
 \$65.00 per bin \$ _____

Annual collection fees (May through Sept):
 First bin \$ _____ 40.00

Additional bin(s) collection fees _____ x \$17.00/each \$ _____

Total amount \$ _____

Internal Use Only:

Yard Waste Bin Number: _____
 Yard Waste Sticker Number(s): _____

Delivery Date: _____
 Delivered By: _____

95 Gallon Gray Refuse Bin
(holds 6– 8 kitchen size trash bags)

Number of Gray Bins _____
 \$65.00 per bin \$ _____

Total amount \$ _____

Internal Use Only:

Refuse Bin Number: _____
 Delivery Date: _____
 Delivered By: _____

TOTAL AMOUNT SUBMITTED: \$ _____
 CHECK NO. _____

For additional information please contact the Department of Public Services at 837-6900 or visit our website at www.cityofmidlandmi.gov.

Taking your trash or yard waste to the curb becomes easier with rolling bins!

Midland residents can purchase heavy duty, wheeled bins, on a voluntary basis, to use with the City's semi-automated collection process.

Blue bins can be used for yard waste only!

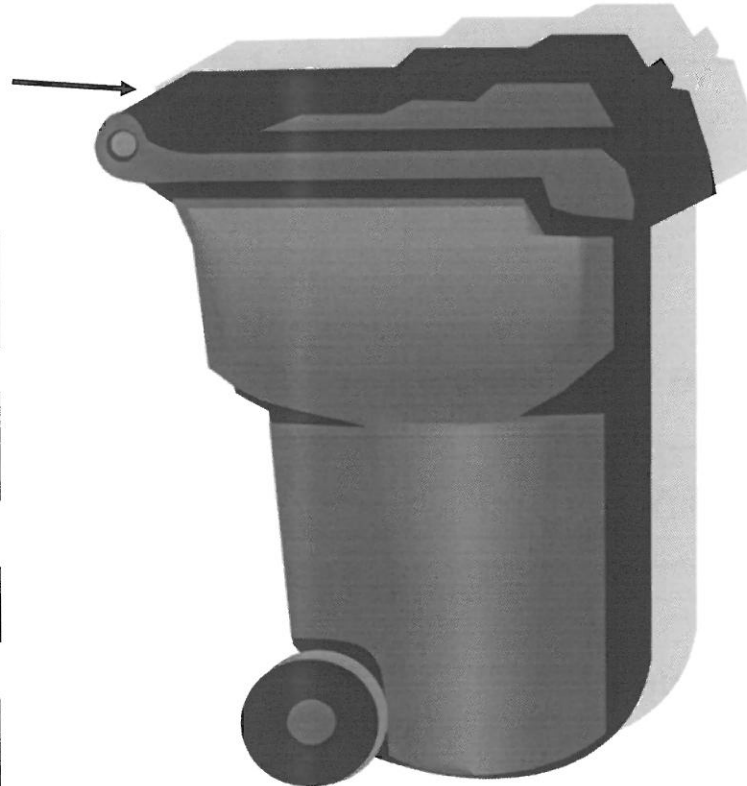
Molded handles provide strong grip area for maneuvering

Injection molded for durability

Toe hold for ease in tilting heavy loads

200 pound weight limit

Stable in winds up to 35 MPH when empty



Gray bins can be used for refuse only!

Lid protects your trash from birds and animals

Five (5) year warranty

95 gallon capacity

Spring Free: April free collection. No stickers required on bins until the first Monday in May

Fall Free: No stickers required on bins from the first Monday in October for the remainder of the collection season

For additional information on the City of Midland's refuse and yard waste collection process call 837-6900 or visit our website at www.cityofmidlandmi.gov.